

**Strongest Impact -
Period!**



**Experience
the Difference**



MD30X



Cost Reduction

Protect your
investment with
our MD30X idler.

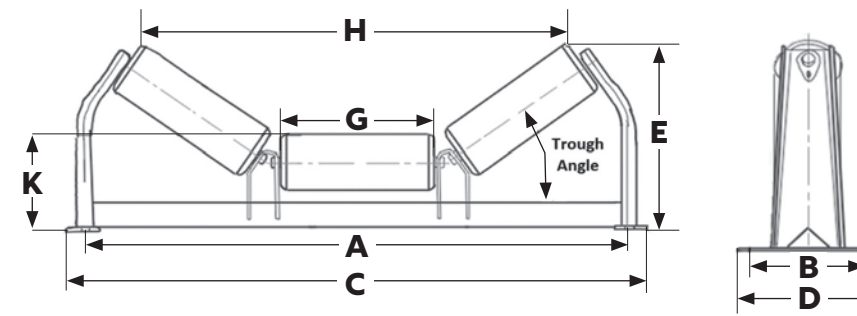
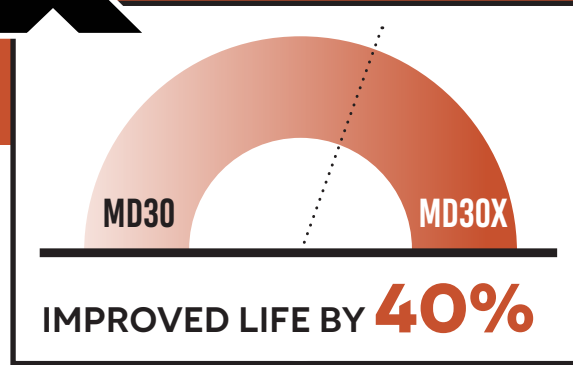


**Keep Your
Business in Line**



EXPERIENCE THE DIFFERENCE

MD30X



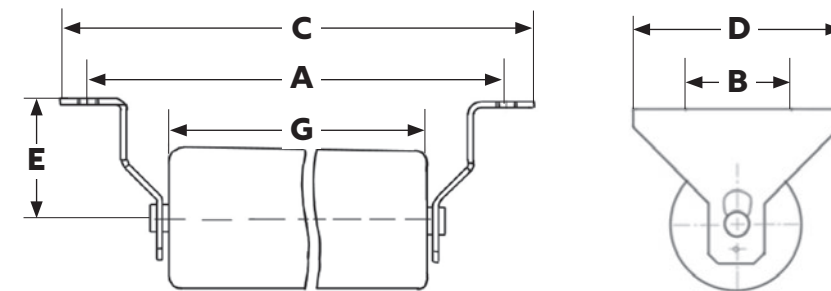
Belt Width	Standard Dimensions				
	A	B	C	D	G
24	33	6	35 1/2	9 1/2	8 7/8
30	39	6	41 1/2	9 1/2	11
36	45	6	47 1/2	9 1/2	13 3/16
42	51	6	53 1/2	9 1/2	15 3/8
48	57	6	59 1/2	9 1/2	17 1/2
54	63	6 7/8	65 1/2	11	19 3/4
60	69	6 7/8	71 1/2	11	21 3/4

20° Equal Trougher (CEMA C/D)

Belt Width	5" Roll Dia					6" Roll Dia				
	Part Number	E	H	K	WT	Part Number	E	H	K	WT
24	520T24MD30X	11 1/2	27	8 1/2	60	620T24MD30X	*	*	*	*
30	520T30MD30X	12 3/8	33 1/4	8 1/2	70	620T30MD30X	13	32 7/8	9 1/8	79
36	520T36MD30X	13	39 1/2	8 1/2	82	620T36MD30X	13 11/16	39	9 1/8	93
42	520T42MD30X	14 1/4	45 3/4	9	92	620T42MD30X	14 3/8	45 5/16	9 1/2	104
48	520T48MD30X	15	52	9	102	620T48MD30X	15 1/2	51 11/16	9 1/2	115
54	520T54MD30X	16	58 1/8	9	112	620T54MD30X	16 1/2	58 5/16	9 3/4	127
60	520T60MD30X	16 5/8	63 7/8	9	123	620T60MD30X	17 1/8	63 3/4	9 3/4	139

35° Equal Trougher (CEMA C/D)

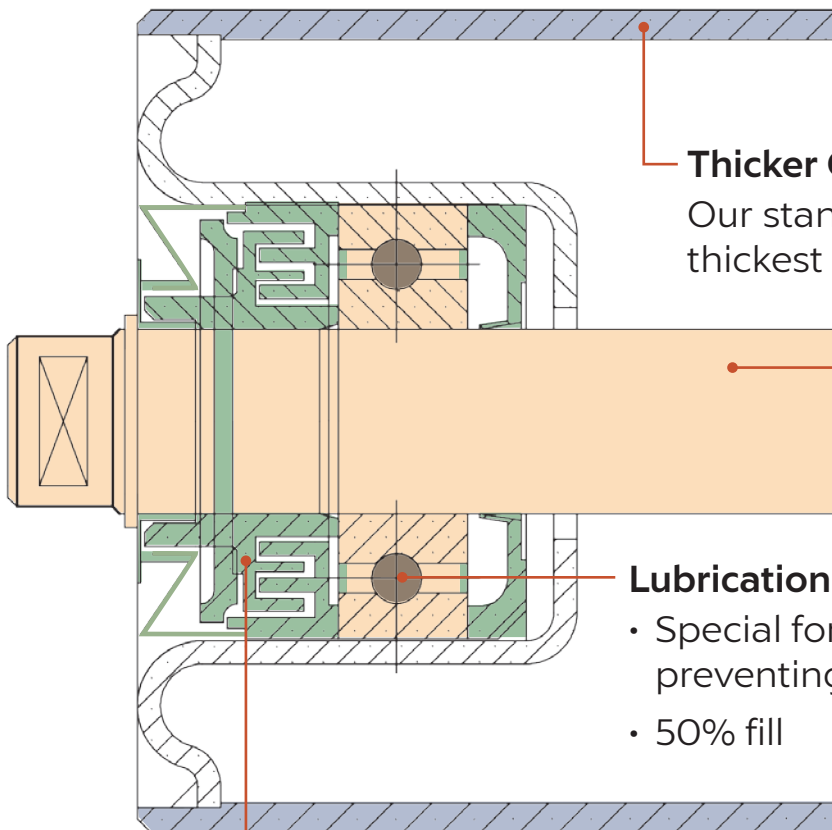
Belt Width	5" Roll Dia					6" Roll Dia				
	Part Number	E	H	K	WT	Part Number	E	H	K	WT
24	535T24MD30X	13 1/2	24	8 1/2	62	635T24MD30X*	*	*	*	*
30	535T30MD30X	14 3/4	29 11/16	8 1/2	72	635T30MD30X	15 3/8	29 1/4	9 1/8	81
36	535T36MD30X	16	36	8 1/2	84	635T36MD30X	16 1/2	35 3/8	9 1/8	95
42	535T42MD30X	17 3/4	41	9	94	635T42MD30X	18 1/4	40 3/4	9 1/2	107
48	535T48MD30X	19	46 13/16	9	104	635T48MD30X	19 1/2	46 1/8	9 1/2	117
54	535T54MD30X	20 1/4	52 1/2	9	118	635T54MD30X	20 15/16	52 3/8	9 3/4	135
60	535T60MD30X	21 1/2	57 3/4	9	125	635T60MD30X	21 7/8	57 3/8	9 3/4	146



Belt Width	Standard Dimensions		
	A	C	G
18	27	29	21 3/8
20	29	31	23 3/8
24	33	35	27 3/8
30	39	41	33 3/8
36	45	47	39 3/8
42	51	53	45 3/8
48	57	59	51 3/8
54	63	65	57 3/8
60	69	71	63 3/8

Return

Belt Width	5" Roll Dia					6" Roll Dia				
	E = 4 1/2"		E = 11 1/2"		WT	E = 4 1/2"		E = 11 1/2"		WT
	Part Number	D	Part Number	D		Part Number	D	Part Number	D	
18	500R18MD30X	8	500R18MD30X	6	24	600R18MD30X*	8	600R18MD30X*	6	29
20	500R20MD30X*	8	500R20MD30X*	6	26	600R20MD30X*	8	600R20MD30X*	6	31
24	500R24MD30X	8	500R24MD30X	6	30	600R24MD30X*	8	600R24MD30X*	6	36
30	500R30MD30X	8	500R30MD30X	6	36	600R30MD30X	8	600R30MD30X	6	43
36	500R36MD30X	8	500R36MD30X	6	42	600R36MD30X	8	600R36MD30X	6	50
42	500R42MD30X	8	500R42MD30X	6	48	600R42MD30X	8	600R42MD30X	6	58
48	500R48MD30X	8	500R48MD30X	6	55	600R48MD30X	8	600R48MD30X	6	65
54	500R54MD30X	8	500R54MD30X	6	61	600R54MD30X	8	600R54MD30X	6	73
60	500R60MD30X	8	500R60MD30X	6	67	600R60MD30X	8	600R60MD30X	6	80



Thicker Cans

Our standard can is the thickest on the market

Larger Axle Assemblies

30mm has a greater load capacity resulting in greater Idler life

Lubrication

- Special formulated Dipolyurea grease preventing bearing oxidation
- 50% fill

Heavier Frames

- Structurally sound design
- Heavy duty foot pads
- Designed with minimal roll gaps

Seven Stage Seal Design

Undergoes 3 test procedures

- Dustproof
- Water spray
- Water immersion

