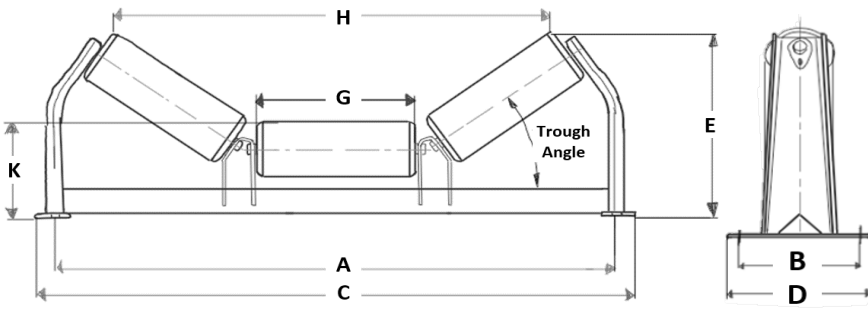


MINE DUTY CEMA B

EQUAL TROUGHING IDLERS - 4" & 5" DIAMETER



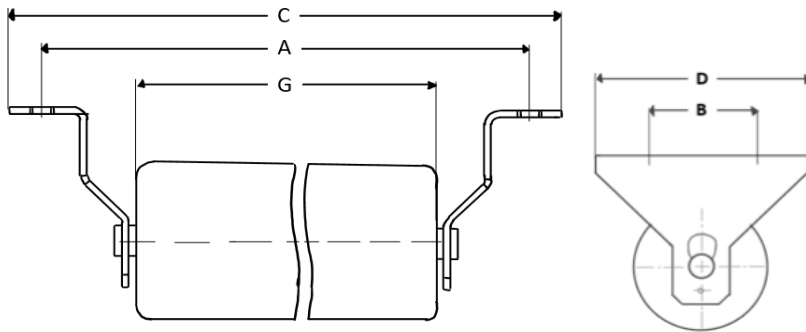
Belt Width	STANDARD DIMENSIONS				
	A	B	C	D	G
18	27	6	29 1/2	8 1/2	6 11/16
24	33	6	35 5/8	8 1/2	8 7/8
30	39	6	41 1/2	8 1/2	11
36	45	6	47 1/2	8 1/2	13 1/2

20° Equal Trougher

Belt Width	4" Roll Dia					5" Roll Dia				
	Part Number	E	H	K	WT	Part Number	E	H	K	WT
18	420T18HD20BX	9 7/16	21 1/8	7		520T18MD25BX	10	21	7 1/2	
24	420T24HD20BX	10 3/16	27 7/16	7		520T24MD25BX	10 11/16	27 1/8	7 1/2	
30	420T30HD20BX	10 15/16	33 3/4	7		520T30MD25BX	11 3/8	33 3/8	7 1/2	
36	420T36MD25BX	11 5/8	39 7/8	7		520T36MD25BX	12 1/8	39 1/2	7 1/2	

35° Equal Trougher

Belt Width	4" Roll Dia					5" Roll Dia				
	Part Number	E	H	K	WT	Part Number	E	H	K	WT
18	435T18HD20BX	11 1/8	19 7/16	7		535T18MD25BX	11 1/2	18 7/8	7 1/2	
24	435T24HD20BX	12 5/16	25	7		535T24MD25BX	12 11/16	24 5/8	7 1/2	
30	435T30HD20BX	13 11/16	31 3/16	7		535T30MD25BX	14 1/16	30 5/8	7 1/2	
36	435T36MD25BX	14 13/16	36 9/16	7		535T36MD25BX	15 1/4	36	7 1/2	



RETURN IDLERS - 4" & 5" DIAMETER

Belt Width	STANDARD DIMENSIONS			
	A	B	C	G
18	27	4	29	21 3/8
24	33	4	35	27 3/8
30	39	4	41	33 3/8
36	45	4	47	39 3/8
42	51	4	53	45 3/8
48	57	4	59	51 3/8
54	63	4	65	57 3/8

Return

Belt Width	4" Roll Dia					5" Roll Dia				
	E = 4 1/2"		E = 1 1/2"		WT	E = 4 1/2"		E = 1 1/2"		WT
	Part Number	D	Part Number	D		Part Number	D	Part Number	D	
18	400R18HD20X	8	400R18HD20X	6		500R18MD25X	8	500R18MD25X	6	
24	400R24HD20X	8	400R24HD20X	6		500R24MD25X	8	500R24MD25X	6	
30	400R30HD20X	8	400R30HD20X	6		500R30MD25X	8	500R30MD25X	6	
36	400R36MD25X	8	400R36MD25X	6		500R36MD25X	8	500R36MD25X	6	
42	400R42MD25X	8	400R42MD25X	6		500R42MD30X	8	500R42MD30X	6	
48	400R48MD25X	8	400R48MD25X	6		500R48MD30X	8	500R48MD30X	6	
54	400R54MD25X	8	400R54MD25X	6		500R54MD30X	8	500R54MD30X	6	