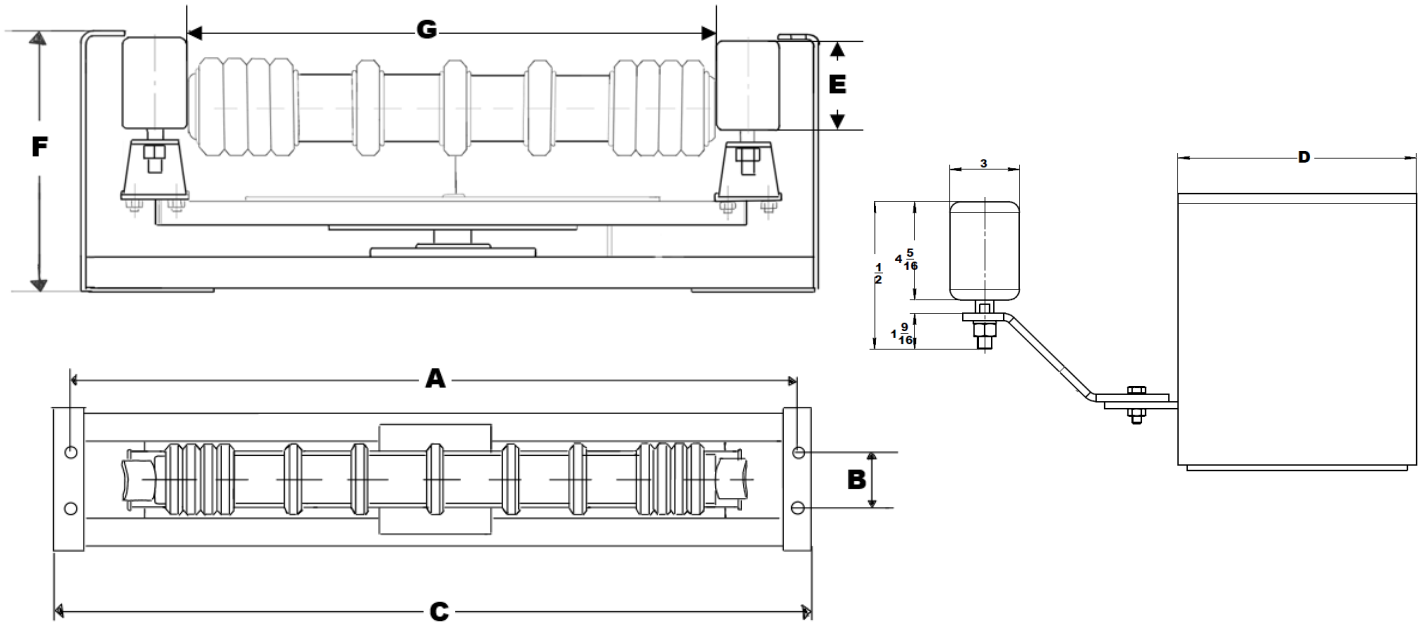


# RETURN RUBBER DISC TRAINERS

## RUBBER DISC RETURN TRAINERS - 5" & 6" DIAMETER



Rubber Disc Return Trainer												
Belt Width	5" Roll Dia			6" Roll Dia			STANDARD DIMENSIONS					
	Part Number	F	WT	Part Number	F	WT	A	B	C	D	E	G
24	500RDRT24MD25X	12 1/4					33	4	35	10 1/4	4 1/2	27 3/8
30	500RDRT30MD25X	12 1/4					39	4	41	10 1/4	4 1/2	33 3/8
36	500RDRT36MD25X	12 1/4		600RDRT36MD30X	12 7/8		45	4	47	10 1/4	4 1/2	39 3/8
42	500RDRT42MD25X	12 1/4		600RDRT42MD30X	12 7/8		51	4	53	10 1/4	4 1/2	45 3/8
48	500RDRT48MD25X	12 1/4		600RDRT48MD30X	12 7/8		57	4	59	10 1/4	4 1/2	51 3/8